



**THE BEST SUPPORT  
FOR YOUR AV & IT HARDWARE**  
T: + 31(0)23-5478888 | E: info@newstar.eu | W: www.newstar.eu

## BEAMER-C80WHITE

## NEWSTAR PROJECTOR CEILING MOUNT

Newstar Universal Projector Ceiling Mount,  
Height Adjustable (8-15cm) - White



### SPECIFICATIONS

<b>Color</b>	White
<b>Height</b>	8 - 15 cm
<b>Height adjustment</b>	Manual
<b>Max. weight</b>	15
<b>Min. weight</b>	0
<b>Swivel (degrees)</b>	360°
<b>Tilt (degrees)</b>	15°
<b>Type</b>	Tilt Turn Full motion
<b>Warranty</b>	5 year
<b>EAN code</b>	8717371444396

The NewStar projector ceiling mount, model BEAMER-C80WHITE is a universal tilt-, swivel and/or rotatable ceiling mount for projectors up to 15 kilograms. This mount is a great choice for an optimal viewing experience. This versatile, ready to install mount, offers the convenience of installation to the ceiling without the need of additional accessories.

NewStar's versatile tilt (15°), rotate and/or swivel (360°) technology allows the mount to change to any viewing angle to fully benefit from the capabilities of the projector. The mount is height adjustable to 8 centimetres. An innovative cable management conceals and routes cables from ceiling to projector. Hide your cables to keep the installation nice and tidy.

NewStar BEAMER-C80WHITE has two pivot points and is suitable for most projectors. The weight capacity of this product is 15 kilograms. This universal ceiling mount is easy to install and suitable for projectors using the mounting holes on the bottom side of the projector. The legs included with this mount, cover most projector hole patterns. The quick release function of the bracket offers safe storage of expensive projectors which results in decrease of theft.

Different poles available, models BEAMER-P100, BEAMER-P150 and BEAMER-P200, to stretch the distance between ceiling and projector from 100 to 200 centimetres.

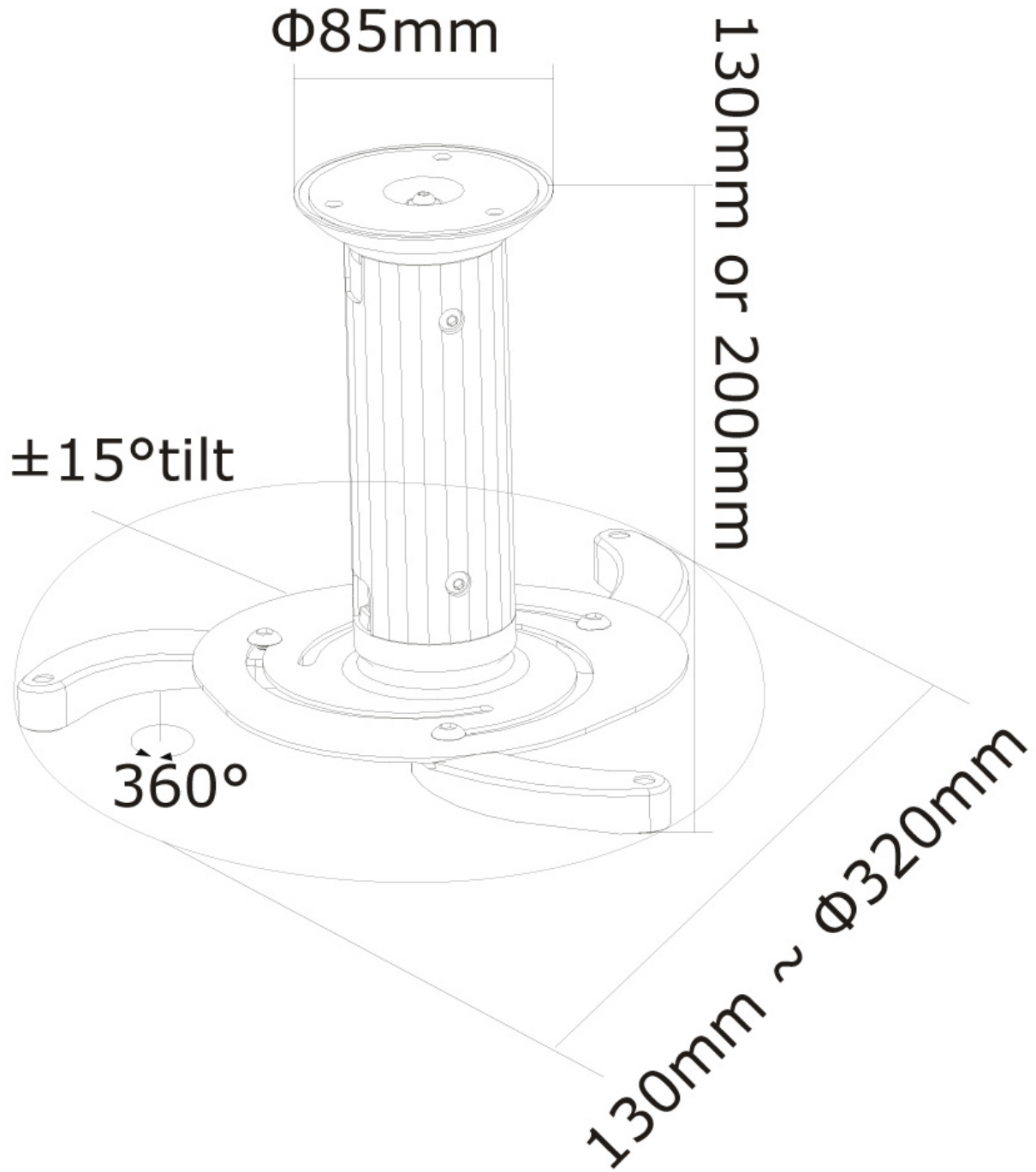
Projector mounts are ideal for use in offices, schools, hospitals or at home.

All installation material is included with the product.



**THE BEST SUPPORT  
FOR YOUR AV & IT HARDWARE**  
T: + 31(0)23-5478888 | E: info@newstar.eu | W: www.newstar.eu

# BEAMER-C80WHITE NEWSTAR PROJECTOR CEILING MOUNT



NewStar Products Europe B.V.  
Wateringweg 62/B  
2031 EJ HAARLEM  
THE NETHERLANDS

Phone : +31(0)23-5478888  
Fax : +31(0)23-5478889  
Email : info@newstar.nl  
Website : www.newstar.eu

NewStar cannot be held liable for any inaccuracies and copyrights.  
No part of this publication may be reproduced and/or published by print, photocopy, microfilm or in any other way, without prior written permission of NewStar Computer Products Europe BV.